



Mimetix[®] 6-well plate

AMS.TECL-004-1X AMS.TECL-004-8X



The Mimetix 6-well plate with hanging is suitable for creating an air-liquid interface or for experiments with longer culturing periods.

Product Description:

Our Mimetix hanging-insert format allows for cells to be cultured with an air-liquid interface. Hanging inserts are also suited for experiments with longer culturing periods or cell migration experiments, as cells growing within the scaffold are exposed to medium from above and below.

The scaffold disks can be removed for imaging purposes and/or seeding a second cell type on the reverse side of the scaffold disk.

General Features:

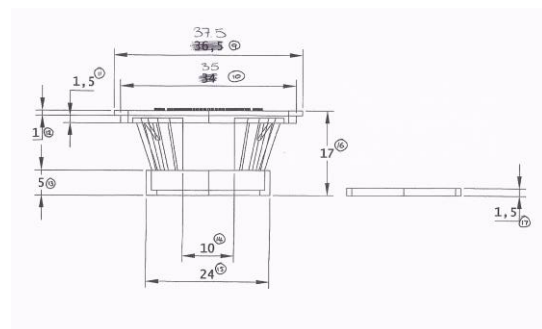
- True 3D environment rather than a roughened 2D surface
- Minimal protocol adaption required to switch from 2D to 3D
- Compatible with fluorescence microscopy
- Scaffolds can be coated with materials to facilitate cell adhesion in low serum conditions
- Protocols for cell seeding, retrieval, assays, and imaging are available

Scaffold Specifications:

- Material: medical-grade poly-L-lactide (PLLA)
- Orientation: Random, non-woven
- Thickness: 50 μm
- Fiber diameter: 4 μm (15-30 μm pores)
- Overall porosity: app. 80%
- Non-biodegradable in *in vitro* applications

Plate specifications:

- Supplied with lid in individually-sealed plastic wrapping
- Treated with gamma or e-beam irradiation
- Store at room temperature in the dark
- Manufactured in the United Kingdom



AMSBIO | www.amsbio.com | info@amsbio.com



UK & Rest of the World
AMS Biotechnology (Europe) Ltd
184 Park Drive, Milton Park
Abingdon, UK
T: +44 (0)1235 828 200
F: +44 (0) 1235 820 482



North America
amsbio LLC
1035 Cambridge Street,
Cambridge, MA 02141
T: +1 (617) 945-5033 or
T: +1 (800) 987-0985
F: +1 (617) 945-8218



Germany
AMS Biotechnology (Europe) Ltd
Bockenheimer Landstr. 17/19
60325 Frankfurt/Main
T: +49 (0) 69 779099
F: +49 (0) 69 13376880



Switzerland
AMS Biotechnology (Europe) Ltd
Centro Nord-Sud 2E
CH-6934 Bioggio-Lugano
T: +41(0) 91 604 55 22
F: +41(0) 91 605 17 85



Mimetix[®] 6-well plate

Precondition

The Mimetix scaffold needs to be wetted with ethanol in order to allow a cell suspension to access the pores.

- Add 1 mL 20% ethanol per well.
- Allow ethanol to soak into the membrane for 5 min, then aspirate ethanol carefully without touching the scaffold.

Wash

- Wash scaffold twice with PBS.
- Leave scaffold in cell culture medium until cell seeding.

Seed

These seeding densities are general guidelines only.

- Add 50,000-100,000 cells suspended in 1 mL cell culture medium.

Exchange medium

- For long-term experiments semi-exchange the cell culture medium every 3 days.

AMSBIO | www.amsbio.com | info@amsbio.com



UK & Rest of the World
AMS Biotechnology (Europe) Ltd
184 Park Drive, Milton Park
Abingdon, UK
T: +44 (0)1235 828 200
F: +44 (0) 1235 820 482



North America
amsbio LLC
1035 Cambridge Street,
Cambridge, MA 02141
T: +1 (617) 945-5033 or
T: +1 (800) 987-0985
F: +1 (617) 945-8218



Germany
AMS Biotechnology (Europe) Ltd
Bockenheimer Landstr. 17/19
60325 Frankfurt/Main
T: +49 (0) 69 779099
F: +49 (0) 69 13376880



Switzerland
AMS Biotechnology (Europe) Ltd
Centro Nord-Sud 2E
CH-6934 Bioggio-Lugano
T: +41(0) 91 604 55 22
F: +41(0) 91 605 17 85