



# Instructions

## HT TiterTACS™ Assay Kit

96 tests-96 well format

## HT TiterTACS™ Assay Kit

Cat #: 4822-96-K

### Quantitative Assay for the Detection of Apoptosis in Cells

#### 96 Well Colorimetric Kit

Sufficient reagents for:  
96 tests-96 well format

Cat #: 4822-96-K

### Table of Contents

	Page
I. Quick Reference Procedure	1
II. Background	2
III. Precautions and Limitations	2
IV. Materials Supplied	2
V. Materials/Equipment Required but Not Supplied	3
VI. Reagent Preparation	3
VII. Assay Protocol	5
VIII. Controls	7
IX. Data Interpretation	7
X. Troubleshooting Guide	8
XI. References	9
XII. Related products available from Trevigen	10
XIII. Appendices	11

## HT TiterTACS™

## I. Quick Reference Procedure

Read through the complete *Instructions for Use* before following this protocol. Some incubation times and washes may be altered based on results obtained using controls. Use between  $2 \times 10^4$  and  $1 \times 10^5$  cells/well, fixed and washed in PBS. See section VI. A. Reagent Preparation. Note: a) Centrifuge at  $1000 \times g$  for 3 minutes at room temperature between steps. b) Perform all steps at room temperature unless otherwise noted.

**This page is designed to be photocopied and used as a checklist.**

1. Wash cells with 200  $\mu$ l of 1X PBS per well, centrifuge and discard PBS.
2. Add 50  $\mu$ l of Proteinase K solution per well. Incubate for 15 minutes.
- |                                                       |                                                   |
|-------------------------------------------------------|---------------------------------------------------|
| <u>volume/sample:</u>                                 | <u>volume/100 samples:</u>                        |
| <input type="checkbox"/> 50 $\mu$ l dH <sub>2</sub> O | <input type="checkbox"/> 5 ml dH <sub>2</sub> O   |
| <input type="checkbox"/> 1 $\mu$ l Proteinase K       | <input type="checkbox"/> 100 $\mu$ l Proteinase K |
- OR** add 50  $\mu$ l of Cytonin™ per well and incubate for 30 minutes.
3. Centrifuge and discard Proteinase K solution or Cytonin™.
4. Wash with 200  $\mu$ l dH<sub>2</sub>O per well.
5. Add 50  $\mu$ l of hydrogen peroxide solution per well.
- |                                                                      |                                                                        |
|----------------------------------------------------------------------|------------------------------------------------------------------------|
| <u>volume/sample:</u>                                                | <u>volume/100 samples:</u>                                             |
| <input type="checkbox"/> 45 $\mu$ l Methanol                         | <input type="checkbox"/> 4.5 ml Methanol                               |
| <input type="checkbox"/> 5 $\mu$ l 30% H <sub>2</sub> O <sub>2</sub> | <input type="checkbox"/> 500 $\mu$ l 30% H <sub>2</sub> O <sub>2</sub> |
6. Centrifuge and discard hydrogen peroxide solution.
7. Add 150  $\mu$ l of 1X TdT Labeling Buffer per well.
- |                                                             |                                                       |
|-------------------------------------------------------------|-------------------------------------------------------|
| <u>volume/sample:</u>                                       | <u>volume/100 samples:</u>                            |
| <input type="checkbox"/> 200 $\mu$ l dH <sub>2</sub> O*     | <input type="checkbox"/> 20 ml dH <sub>2</sub> O      |
| <input type="checkbox"/> 20 $\mu$ l 10X TdT Labeling buffer | <input type="checkbox"/> 2 ml 10X TdT Labeling buffer |
- This step prepares enough buffer to retain 50  $\mu$ l per sample for step 9.
8. Centrifuge and discard buffer.
9. Add 50  $\mu$ l of Labeling Reaction Mix per well. Incubate for 60 minutes at 37 °C in a humidity chamber.
- |                                                            |                                                       |
|------------------------------------------------------------|-------------------------------------------------------|
| <u>volume/sample:</u>                                      | <u>volume/100 samples:</u>                            |
| <input type="checkbox"/> 50 $\mu$ l 1X TdT Labeling Buffer | <input type="checkbox"/> 5 ml 1X TdT Labeling Buffer  |
| <input type="checkbox"/> 1 $\mu$ l Mn <sup>2+</sup>        | <input type="checkbox"/> 100 $\mu$ l Mn <sup>2+</sup> |
| <input type="checkbox"/> 0.35 $\mu$ l TdT dNTP mix         | <input type="checkbox"/> 35 $\mu$ l TdT dNTP mix      |
| <input type="checkbox"/> 0.35 $\mu$ l TdT Enzyme           | <input type="checkbox"/> 35 $\mu$ l TdT Enzyme        |
10. Stop the reaction with 150  $\mu$ l of 1X TdT Stop Buffer per well.
- |                                                         |                                                     |
|---------------------------------------------------------|-----------------------------------------------------|
| <u>volume/sample:</u>                                   | <u>volume/100 samples:</u>                          |
| <input type="checkbox"/> 150 $\mu$ l dH <sub>2</sub> O  | <input type="checkbox"/> 15 ml dH <sub>2</sub> O    |
| <input type="checkbox"/> 15 $\mu$ l 10X TdT Stop Buffer | <input type="checkbox"/> 1.5 ml 10X TdT Stop Buffer |
11. Centrifuge and discard stop buffer.
12. Wash wells two times with 200  $\mu$ l of 1X PBS per well.
13. Add 50  $\mu$ l of Strep-HRP Solution per well. Incubate for 10 minutes.
- |                                                        |                                                  |
|--------------------------------------------------------|--------------------------------------------------|
| <u>volume/sample:</u>                                  | <u>volume/100 samples:</u>                       |
| <input type="checkbox"/> 50 $\mu$ l Blue Strep-diluent | <input type="checkbox"/> 5 ml Blue Strep-diluent |
| <input type="checkbox"/> 0.04 $\mu$ l Strep-HRP        | <input type="checkbox"/> 4 $\mu$ l Strep-HRP     |
14. Centrifuge and discard Strep-HRP solution.
15. Wash four times with 200  $\mu$ l of PBS, 0.1% Tween 20 per well.
16. Add 100  $\mu$ l of TACS-Sapphire™ per well.
17. Incubate plate at room temperature for 15-60 minutes in the dark.
18. Measure reaction kinetics at 630 nm. Add 100  $\mu$ l of 5% phosphoric acid OR 0.2N HCl per well to stop reaction and record optical density at 450 nm.

## II. Background

The TACS® (Trevigen Apoptotic Cell System) *in situ* kits allow identification of apoptotic cells using a variety of formats. For many cell types in culture, identification of apoptosis can be achieved using a combination of morphological criteria, extraction and analysis of DNA by agarose gel electrophoresis, and *in situ* detection of DNA fragmentation in immobilized cells. Other approaches include measuring the activation of ICE-like proteases, detection of annexin binding at the cell surface and activation of poly-ADP ribose polymerases. However, in many cases, the treatment and analysis of a large number of samples is inconvenient. TiterTACS™ allows quantitative colorimetric analysis of a large number of cell samples using a 96-well plate. The assay provides quantitation of apoptosis in cultured cells without direct counting of labeled cells. Trevigen's HT TiterTACS™ is a reagent kit designed specifically for quantitation of apoptosis in suspension and mono-layer cell cultures. The kit is derived from Trevigen's TACS® 2 TdT *In Situ* Apoptosis Detection Kit and employs *in situ* colorimetric detection. HT TiterTACS™ provides all the reagents for the detection of DNA fragmentation in cells grown as a monolayer or in suspension. TACS-Nuclease™ allows positive controls to be generated for each experimental system: a brief treatment of cells with TACS-Nuclease™ prior to labeling generates DNA breaks in every cell, providing an appropriate positive control specific for the system under study. Contact Trevigen for information on additional Trevigen products available for the study of apoptosis, cell proliferation DNA damage, and DNA repair.

The HT TiterTACS™ 96 well plate format offers:

- A sensitive and easy to follow assay
- Cost-effective screening of up to 96 different samples for apoptosis/kit
- Quantitative read-out, allowing for statistical analysis

## III. Precautions and Limitations

1. For Research Use Only. Not for use in diagnostic procedures.
2. The physical, chemical and toxicological properties of these products may not yet have been fully investigated therefore Trevigen recommends the use of gloves, lab coats and eye protection while using these chemical reagents. Trevigen assumes no liability for damage resulting from hand-ling or contact with these products.

## IV. Materials Supplied

Component	Amount Provided	Storage	Cat#
Cytonin™	6 ml	4 °C	4876-05-01
Proteinase K	2x50 $\mu$ l	-20 °C	4800-30-01
10X TdT Labeling Buffer	20 ml	4 °C	4817-60-02
10X TdT Stop Buffer	20 ml	4 °C	4817-60-03
TdT dNTP Mix	35 $\mu$ l	-20 °C	4810-30-04
TdT Enzyme	35 $\mu$ l	-20 °C	4821-96-05
50X Mn <sup>2+</sup>	2x50 $\mu$ l	-20 °C	4810-30-14
Strep-HRP	30 $\mu$ l	4 °C	4800-30-06
Blue-Strep diluent	7.5 ml	4 °C	4800-30-12
TACS-Sapphire™	10 ml	4 °C	4822-96-08
TACS-Nuclease™	15 $\mu$ l	-20 °C	4800-30-15
TACS-Nuclease™ Buffer	1.5 ml	4 °C	4800-30-16

## V. Materials required but not supplied

Equipment:	Reagents:	Disposables:
1-20 µl pipettor	Apoptosis Grade™ Water*	96 well microplate
20-200 µl pipettor	100% ethanol <b>or</b> denatured alcohol	Microcentrifuge tubes
1-50 µl multichannel pipettor	10X PBS*	1-200 µl pipette tips
50-300 µl multichannel pipettor	Tween 20	10 ml serological pipettes
Humidity chamber	37% Formaldehyde	15 ml tubes
37 °C incubator		
-20 °C and 4 °C storage	30% Hydrogen Peroxide	
Microplate reader	Methanol	
Centrifuge with microplate adapters	5% phosphoric acid <b>or</b> 0.2N HCl	

\*Available from Trevigen. Please See Related Products (page 10).

## VI. Reagent Preparation

Reagents marked with an asterisk (\*) should be prepared immediately before use.

The volumes given for each reagent are based on processing samples in a 96 well plate. If conical well plates are used, the volume of solution may be decreased to 30 µl per well.

- 1X PBS** Please see page 10 to order or prepare 10X PBS. Approximately 100 ml of 1X PBS is used to process 96 samples. Dilute 10X PBS to 1X using distilled water. Store 1X PBS at room temperature.

- \*3.7% Buffered Formaldehyde**

20 ml of fixative is used to process 96 samples.

To prepare:

1X PBS	45 ml
37% Formaldehyde	<u>5 ml</u>
Final volume	<u>50 ml</u>

Store at room temperature. Wear gloves and exercise caution when handling formaldehyde solutions.

- \*Proteinase K solution**

50 µl of Proteinase K Solution is used per sample. Store on ice. Thaw Proteinase K at room temperature and then place on ice. Prepare immediately before use. To prepare add:

	<u>1 sample</u>	<u>100 samples</u>
dH <sub>2</sub> O	50 µl	5 ml
Proteinase K (Cat# 4800-30-01)	1 µl	100 µl

- Cytonin™ - Cat# 4876-05-01**

If required, 50 µl of Cytonin™ is used per sample. Cytonin™ is ready to use. Store at 4 °C. Discard if cloudy.

- \*3% Hydrogen Peroxide solution**

5 ml of hydrogen peroxide solution is necessary per 100 samples.

To prepare 6 ml of solution mix:

0.5 ml 30% Hydrogen peroxide
5.5 ml methanol

- 1X TdT Labeling Buffer**

25 ml of 1X Labeling Buffer is enough to process 96 samples. Dilute the 10X TdT Labeling Buffer (Cat# 4817-60-02) to 1X using distilled water. Leave at room temperature until use. Remove an aliquot of 50 µl of 1X labeling buffer per sample to prepare the Labeling Reaction Mix, and place on ice.

- \*Labeling Reaction Mix**

Thaw TdT dNTP Mix (Cat# 4810-30-04) at room temperature and then place on ice. To maintain optimal activity, remove the TdT Enzyme (Cat# 4810-30-05) tube from the freezer only to pipette the required volume. Alternatively, place the TdT Enzyme in a -20 °C freezer block. Prepare the Labeling Reaction Mix just before use and keep the prepared reaction mix on ice. Prepare one sample without the enzyme (refer to Section VIII on controls).

Prepare 50 µl per sample:

	<u>100 samples</u>	<u>n samples</u>
1X TdT Labeling Buffer (Step 6)	5 ml	n x 50 µl
TdT dNTP Mix (Cat# 4810-30-04)	35 µl	n x 0.35 µl
50X Mn <sup>2+</sup> (Cat# 4810-30-14)	100 µl	n x 1 µl
TdT Enzyme (Cat# 4810-30-05)	35 µl	n x 0.35 µl

- 1X TdT Stop Buffer**

20 ml of 1X TdT Stop Buffer is used to process 96 samples. Dilute 2 ml of 10X TdT Stop Buffer (Cat# 4817-60-03) to 1X with 18 ml dH<sub>2</sub>O. Leave at room temperature until use.

- \*Strep-HRP Solution**

50 µl of Strep-HRP Solution (1:1250) is used per sample.

	<u>100 samples</u>	<u>n samples</u>
Blue-Strep Diluent (Cat# 4800-30-12)	5 ml	n x 50 µl
Strep-HRP (Cat# 4800-30-06)	4 µl	n x 0.04 µl

- TACS-Sapphire™ (Cat# 4822-96-08)**

Use substrate solution at room temperature, add 100 µl of solution per well. TACS-Sapphire™ is ready to use. Protect from light.

- \*TACS-Nuclease™ Solution**

50 µl of Nuclease Solution is required for each Nuclease-treated control sample. Avoid repeated freeze-thaw of TACS-Nuclease™. To prepare add:

	<u>1 sample</u>	<u>n samples</u>
TACS-Nuclease™ Buffer (Cat# 4800-30-16)	50 µl	n x 50 µl
TACS-Nuclease™ (Cat# 4800-30-15)	1 µl	n x 1 µl

Prepare Nuclease Solution just before use and place on ice.

- Stop solution**

5% Phosphoric Acid or 0.2N HCl  
add 100 µl per well to stop the colorimetric reaction.

\*Reagents should be prepared immediately before use.

## VII. Assay Protocol

It is important to read through the "Instructions for Use" before preparing cell samples for labeling. There are key steps that are very important for successful labeling. This section includes instructions for Sample Preparation, *In Situ* Labeling and plate reading. The Assay Protocol for Labeling is in tabulated form and details the steps involved in the labeling reaction. Prior to labeling, the samples must be fixed and washed in PBS. The labeling procedure begins with samples in PBS regardless of the fixation and immobilization method.

## A. Sample Preparation and Fixation

### 1. Preparation of Suspension Cells

Cells grown in suspension, or prepared from dissociated tissues, can be fixed in batch solution and then transferred to 96 well plates or may be grown and fixed directly in the 96 well plates.

#### Batch Method

- Harvest cell suspension by centrifugation at 500 x g for 5 minutes at room temperature. Prepare enough cells for your assay. Typically between  $2 \times 10^4$  to  $1 \times 10^5$  cells/well will generate sufficient signal.
- Wash in 1X PBS and centrifuge.
- Discard PBS and resuspend at  $1 \times 10^6$  cells/ml in 3.7% Buffered Formaldehyde solution (See section VI, Reagent Preparation). Let stand for 7 minutes at room temperature. (Do not leave longer than 10 minutes).
- Centrifuge at 500 x g for 5 minutes at room temperature and discard fixative.
- Wash once with 1X PBS and centrifuge.
- Post-fix sample in 100% methanol for 20 minutes at room temperature.
- Wash cell pellet twice in 1X PBS. Centrifuge between washes.
- Resuspend cells at  $1 \times 10^6$  cells/ml in 1X PBS
- Distribute cells at  $2 \times 10^4$  -  $1 \times 10^5$  cells/well. The exact cell number should be determined empirically.
- Proceed to Section VII.B., Labeling Procedure.

#### In Well Method

- Distribute or grow  $2 \times 10^4$  to  $1 \times 10^5$  cells/well in a 96 well plate.
- Centrifuge plate at 1000 x g for 3 minutes at room temperature and discard media.
- Wash once with 1X PBS at room temperature.
- Fill wells with 3.7% Buffered Formaldehyde solution. Let stand for 7 minutes at room temperature (Do not leave longer than 10 minutes).
- Centrifuge plates at 1000 x g for 3 minutes at room temperature and discard fixative.
- Wash cells with 1X PBS.
- Post fix sample in 100% methanol for 20 minutes at room temperature.
- Wash wells twice with 1X PBS. Centrifuge between washes.
- Proceed to Section V.B., Labeling Procedure.

### 2. Preparation of Cells in Monolayer Method

- Centrifuge plate at 1000 x g for 3 minutes at room temperature and discard the media.
- Wash two times with 1X PBS at room temperature. Centrifuge between washes.
- Fill wells with 3.7% Buffered Formaldehyde solution. Let stand for 7 minutes at room temperature (Do not leave longer than 10 minutes).
- Centrifuge as in step 1 and discard fixative.
- Wash twice with 1X PBS at room temperature. Centrifuge between washes.
- Post fix sample in 100% methanol for 20 minutes.
- Wash wells two times with 1X PBS. Centrifuge between washes.
- Proceed to Section VII.B., Labeling Procedure.

### 3. For Storage Options Please See Appendix C (page 11)

## B. Labeling procedure for hydrated fixed cells in 96 well plates:

Step	Instructions	Notes
1	Add 50 $\mu$ l of Proteinase K solution (page 3) per well and incubate for 15 minutes at room temperature.	Samples can also be treated with 50 $\mu$ l/well of Cytonin™ as an alternative to Proteinase K. Cytonin™ is recommended for cells in monolayer.
2	Centrifuge plate at 1000 X g for 3 min. at room temperature and discard the buffer.	
3	Wash once with 200 $\mu$ l/well of dH <sub>2</sub> O.	Centrifuge plate between each wash (as in step 2).
4	Generate a positive control using TACS-Nuclease™ at this point. Other samples may be covered with PBS during preparation of the positive nuclease treated control.	After dH <sub>2</sub> O washes, add 50 $\mu$ l of TACS-Nuclease™ Solution (page 4) to each control well. Incubate for 10-60 minutes at 37°C.
5	Wash samples for 2 minutes in PBS.	Centrifuge plate between each wash.
6	Quench endogenous peroxidase. Add 50 $\mu$ l/well peroxide solution (page 3) and incubate for 5 minutes at room temperature.	Do not exceed 5 minutes.
7	Wash once with 200 $\mu$ l/well of dH <sub>2</sub> O.	Centrifuge plate between each wash.
8	Add 150 $\mu$ l/well of 1X TdT Labeling Buffer (page 4). Leave for 5 minutes.	
9	Centrifuge plate and discard buffer.	
10	Add 50 $\mu$ l/well of Labeling Reaction mix (page 4) and incubate at 37°C for 1 hour.	Use a humidity chamber (see Appendix D) or a microplate cover during incubation.
11	Add 150 $\mu$ l/well of 1X TdT Stop Buffer (page 4) for 5 minutes to stop labeling reaction.	
12	Centrifuge plate and discard buffer.	
13	Wash samples twice with 1X PBS for 2 minutes per wash.	Centrifuge plate between each wash.
14	Add 50 $\mu$ l/well of Strep-HRP Solution (page 4) and incubate at room temperature for 10 min.	
15	Wash samples four times with 200 $\mu$ l/well of PBS, 0.1% Tween 20.	Centrifuge plate between each wash.
16	Add 100 $\mu$ l/well of TACS-Sapphire (page 4) at room temperature.	If working with suspension cells, ensure that cells are resuspended.
17	Incubate at room temperature for 30 minutes in the dark.	Follow kinetics of the reaction at 630 nm to determine linear range.
18	Stop reaction with 100 $\mu$ l of 5% phosphoric acid or 0.2 N HCl per well. Measure absorbance at 450 nm.	Read plate within 30 minutes of acid addition.

### VIII. Controls

The controls that should be included, especially when performing the protocol for the first time, are listed below. Controls should be performed in duplicates or triplicates.

#### TACS Nuclease™-treated control

Treat two or three samples with TACS-Nuclease™ to generate DNA breaks in every cell. Avoid repeated freeze-thaw cycles. The TACS Nuclease™-treated controls will confirm that the permeabilization and labeling reaction has succeeded. The information can help optimize the conditions for the labeling procedure. The colorimetric readings obtained with this control will be higher than the experimental values and will provide a maximum value.

#### Unlabeled Experimental Control Sample

The TdT enzyme should be omitted from the Labeling Reaction Mix for two or three samples. These controls will indicate the level of background labeling associated with non-specific binding of the Strep-HRP. These controls should have low or negligible absorbance.

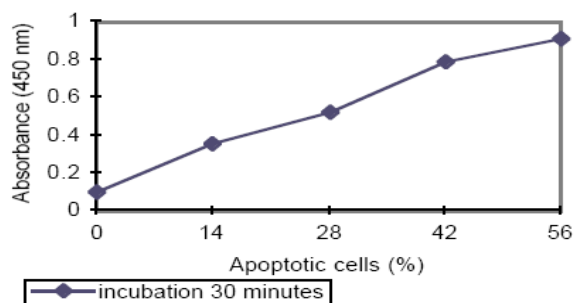
#### Experimental Negative Control Sample

An appropriate experimental control should be included in each experiment and will depend upon the system under study. Typically the Experimental Negative Control will be an untreated sample, or normal cells. Many normal or untreated cells and tissues will have a small number of apoptotic cells, resulting in a low level of labeling.

### IX. Data Interpretation

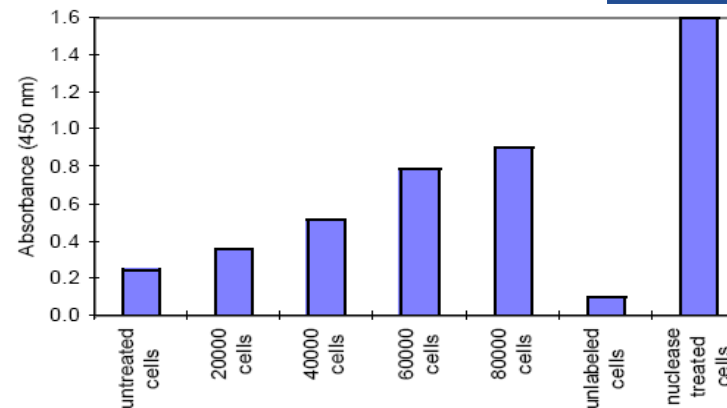
Duplicate or triplicate samples will allow statistical validation of results. The Controls listed in Section VIII are important in data interpretation and allow optimization of *In Situ* detection of apoptosis without expending valuable test samples. Refer to the Troubleshooting Guide for information if the Controls do not provide the expected result.

Figure 1 and Figure 2 show typical results obtained with TiterTACS™.



**Figure 1 Quantitation of Apoptosis in Staurosporine-treated ML-1 cells using HT TiterTACS™.**

Detection of apoptosis in fixed ML-1 cells after treatment with 1 mM staurosporine for 24 hours. Cells were harvested, fixed and labeled according to the HT TiterTACS™ protocol prior to colorimetric analysis. Cells were incubated with TACS-Sapphire™ substrate and the colorimetric reaction was stopped with 0.2N HCl after 30 minutes. The percentage of apoptotic cells in the culture was estimated by enumeration using the TACS® 2 TdT-DAB™ *in situ* labeling kit. The cell culture was diluted with a non-apoptotic cell culture to obtain the different concentration of apoptotic cells for the assay.



**Figure 2 Quantitation of Apoptosis in Staurosporine Treated ML-1 Cells using HT TiterTACS™.**

Data obtained after stopping the reaction with 50% phosphoric acid, 30 minutes after addition of substrate. Control wells were untreated (without apoptosis inducer), unlabeled (with out TdT enzyme) and nuclease treated cells. All the control wells contained 100 000 cells.

**Note: Experimental results may vary depending on the type of cells, cell treatment, incubations and storage conditions. Morphological observation of the cells is recommended prior to assay.**

### X. Troubleshooting Guide

Rule out major problems by checking the labeling in the control samples first.

Problem	Cause	Action
No labeling in TACS-Nuclease™ treated sample.	Poor permeabilization and/or excessive fixation with cross-linking fixative preventing enzyme access.	Optimize Proteinase K treatment or optimize time in Cytonin™, reduce time in fixative to 5 minutes.
	No DNA left in sample due to hydrolysis (poor storage of samples).	Please read Appendix C prior to labeling.
	Excessive (removed all DNA) or inadequate Nuclease treatment.	Optimize time for Nuclease treatment (5 minutes up to 2 hours).
	TdT Enzyme is inactive. The enzyme is the most labile component in the kit.	TdT Enzyme must be stored at -20 °C. Do not bring enzyme up to ice temperature. Place in -20 °C block or remove aliquot from tube directly in freezer. Store in manual defrost freezer.

Problem	Cause	Action
No labeling in experimental sample.	No apoptosis (or necrosis) occurring in sample.	If all controls gave the expected results and were processed at the same time as the experimental sample there may be no DNA fragmentation in cells within the sample. Always examine the morphology of cells.
Excessive background in negative control.	Residual unlinked Strep-HRP.  Non-specific binding of Strep-HRP.	Wash cells at least 4 times with PBS, 0.1% Tween 20.  Incubate Strep-HRP with a blocking reagent such as 5% (w/v) non-fat dried milk or fetal bovine serum in PBS, 0.1% Tween <sup>®</sup> 20.
Poor duplicate or triplicate values.	Non-sufficient centrifugation Poor removal of buffer.  Loss of cells after or during washes.	Centrifuge after every wash. Use care when pipetting off buffer.  Use conical 96 well plate to perform assay on suspension cells: transfer to flat bottom plate after incubation with TACS-Sapphire.

Tween<sup>®</sup> 20 is a registered trademark of ICI Americas, Inc. Wilmington, DE.

## XI. References

*Apoptosis: The Molecular Basis of Cell Death.* Current Communications in Cell and Molecular Biology, Vol 3. Ed. L. D. Tomei and F. O. Cope (1991) Cold Spring Harbor Laboratory Press, New York.

*Apoptosis II: The Molecular Basis of Apoptosis in Disease.* Current Communications in Cell and Molecular Biology, Vol 8. Ed. L. D. Tomei and F. O. Cope (1994) Cold Spring Harbor Laboratory Press, New York.

S.-R. Shi, R.J. Cote, L.L. Young and C.R. Taylor (1997) Antigen retrieval immunohistochemistry: practice and development. *J. Histochemistry* **20**: 145 - 154.

A. Negoescu, P. Lorimier, F. Labat-Moleur, C. Drouet, C. Robert, C. Guillermet, C. Brambilla, E. Brambilla, (1996). *In situ* apoptotic cell labeling by the TUNEL method: improvements and evaluation on cell preparation. *J. Histochem. Cytochem.* **44**:959-968.

J. F. Kerr, G. C. Gobe, C.M. Winterford and B.V. Harmon (1995) Anatomical methods in cell death. *Methods in Cell Biology* **46**: 1 - 27.

M. Yamawaki, A. Zurbriggen, A. Richard and M. Vandeveld (1993) Saponin treatment for *in situ* hybridization maintains good morphological preservation. *J. Histochem. Cytochem.* **41**: 105 - 109.

P. Seubert, C. Vigo-Pelfrey, F. Esch, M. Lee, H. Dovey, D. Davis, S. Sinha, M. Schlossmacher, J. Whaley and C. Swindlehurst (1992) Isolation and quantitation of soluble Alzheimer's b-peptide from biological fluids. *Nature* **359**: 325-327.

## XII. Related products available from AMSBIO

Catalog #	Description	Size
4817-60-K	FlowTACS™ Kit	60 samples
4830-01-K	TACS <sup>®</sup> Annexin V FITC Kit	100 samples
4835-01-K	TACS <sup>®</sup> Annexin V Biotin Kit	100 samples
6300-100-K	DePsipher™ Mitochondrial Potential Assay Kit	100 tests
6305-100-K	MitoShift™ Mitochondrial Potential Assay Kit	100 tests
4815-30-K	TumorTACS™ <i>In Situ</i> Apoptosis Detection Kit	30 samples
4823-30-K	NeuroTACS™ <i>In Situ</i> Apoptosis Detection Kit	30 samples
4827-30-K	CardioTACS™ <i>In Situ</i> Apoptosis Detection Kit	30 samples
4829-30-K	DermaTACS™ <i>In Situ</i> Apoptosis Detection Kit	30 samples
4826-30-K	VasoTACS™ <i>In Situ</i> Apoptosis Detection Kit	30 samples
4828-30-DK	TACS•XL <sup>®</sup> DAB <i>In Situ</i> Apoptosis Detection Kit	30 samples
4828-30-BK	TACS•XL <sup>®</sup> Blue Label <i>In Situ</i> Apoptosis Detection Kit	30 samples
4810-30-K	TACS <sup>®</sup> 2 TdT DAB <i>In Situ</i> Apoptosis Detection Kit	30 samples
4811-30-K	TACS <sup>®</sup> 2 TdT Blue Label <i>In Situ</i> Apoptosis Detection Kit	30 samples
4812-30-K	TACS <sup>®</sup> 2 TdT Fluorescein Apoptosis Detection Kit	30 samples
4850-20-ET	TACS <sup>®</sup> Apoptotic DNA Laddering Kit EtBr	20 samples
4855-20-K	TACS <sup>®</sup> Apoptotic DNA Laddering Kit Chemiluminescent	20 samples
4857-20-K	TACS <sup>®</sup> Apoptotic DNA Laddering Kit Colorimetric	20 samples
4850-20-K	TACS <sup>®</sup> Apoptotic DNA Laddering Kit Isotopic	20 samples
4892-010-K	Cultrex <sup>®</sup> Calcein-AM Cell Viability Kit	1000 tests
4684-096-K	HT Colorimetric PARP/Apoptosis Assay	96 samples
4685-096-K	HT Chemiluminescent PARP/Apoptosis Assay	96 samples

## Antibodies

Catalog #	Description	Size
4411-PC-100	Anti-Phosphorylated Histone-γH2AX polyclonal	100 μl
2291-MC-100	Anti-human-Bcl-2 mAb (clone YTH-8C8)	100 μg
2281-MC-100	Anti-human-Bax mAb (clone YTH-6A7)	100 μg
6361-PC-100	Anti-human/mouse-PBR polyclonal	100 μl
6370-MC-100	Anti-human/murine-Cytochrome C	100 μg
6380-MC-100	Anti-human/murine-Holocytochrome C	100 μg
4335-MC-100	Anti-PAR polymer mAb (10HA)	100 μl
4336-BPC-100	Anti- PAR polymer polyclonal	100 μl
4338-MC-50	Anti-human/murine-PARP mAb (clone C2-10)	50 μg

## Accessories

Catalog #	Description	Size
4800-30-40	Tissue Control Slides	2 ea.
4800-30-20	Cell Culture Control Slides	2 ea.
4864-100	Treated Glass Microscope Slides w/3 sample Hydrophobic Barrier	100 ea.
4867-100	Hydrophobic Coverslips	100 ea.
4862-10	Coverslips 24 x 60 mm, No. 1.5	2 ea.
4865-25	Mounting Medium	10 x 1 oz.
4800-30-14	Strep-Fluorescein	30 μl
4830-100-03	Propidium Iodide	30 μl
4870-500-6	10X PBS	6 x 500 ml
4869-500-6	Apoptosis Grade™ H <sub>2</sub> O	6 x 500 ml
4820-30-13	Blue Counterstain	50 ml
4878-05-02	Cytonin™ IHC	2 x 5 ml

## XIII. Appendices

## Appendix A. Reagent and Buffer Composition

**10X PBS, pH 7.4 (Cat# 4870-500-6):**  
 1.45 M sodium chloride  
 75 mM disodium hydrogen phosphate  
 25 mM sodium dihydrogen phosphate

**Apoptosis Grade™ Water (Cat# 4869-500-6):**  
 Deionized (18 mW) sterile water  
 The water used should be DNase free  
 Distilled autoclaved water can be used

**Cytonin™ (Cat# 4876-05-01):**  
 Proprietary permeabilization agent

**10X TdT Labeling Buffer (Cat# 4817-60-02):**  
 1 M Safe-TdT Buffer™  
 0.5 mg/ml BSA  
 0.6 mM 2-Mercaptoethanesulfonic Acid

**10X TdT Stop Buffer (Cat# 4817-60-03):**  
 0.1 M EDTA, pH 8.0

**TdT dNTP Mix (Cat# 4810-30-04):**  
 0.25 mM Biotinylated dNTP  
 7.5 mM dNTPs

**TACS-Nuclease™ (Cat# 4800-30-15):**  
 Proprietary endonuclease. Avoid repeated freeze-thaw.

**TACS-Nuclease™ Buffer (Cat# 4800-30-16):**  
 50 mM Tris-HCl, pH 8.0  
 1 mM MgCl<sub>2</sub>  
 100 mg/ml BSA

**TACS-Sapphire™ (Cat# 4822-96-08):**  
 Non-toxic, non-organic peroxidase substrate

## Appendix B. Fixation Methods

There are several fixation methods commonly used that are appropriate for the protocol described in the Instructions for Use. Formaldehyde is the recommended fixative based on laboratory testing. However, other fixatives that maintain DNA integrity may be used. These include alcohol fixatives such as ethanol, methanol or acetone and other cross linking agents including paraformaldehyde and glutaraldehyde. Regardless of the fixative used, it is important not to fix cells for extended periods of time. Fixatives other than formaldehyde should be empirically tested to ensure cells can be labeled post-fixation.

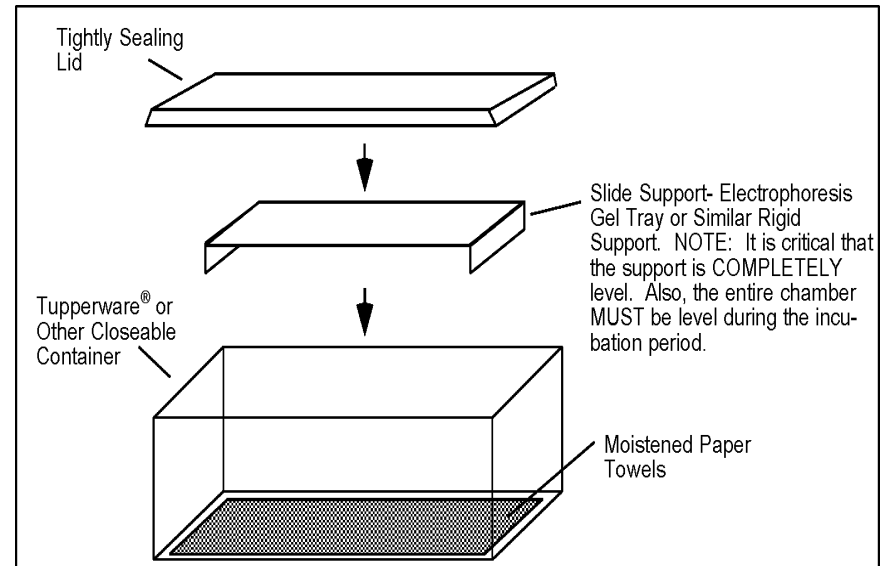
## Appendix C. Storage

a) Long term storage: After fixation and post-fixation steps, cells can be stored in 80% ethanol at 4 °C or -20 °C for several weeks or months. If cells are stored in a microplate, an adhesive or plastic cover is recommended to prevent contamination or evaporation. For labeling after storage, wash the cells with 80% ethanol, then wash three times with 1X PBS and proceed to Labeling Protocol (page 6). **Note:** When cells are fixed using alcohol, e.g. ethanol, signal intensity in positive cells may diminish with time due to loss of small DNA fragments. b) Short term storage: The cells can be stored, prior to step 1 of the labeling

reaction at 4 °C for periods up to a month. An adhesive plate cover is recommended to prevent contamination and evaporation.

## Appendix D. Humidity Chamber

To prevent evaporation it is recommended that incubations at 37 °C be carried out in a humidity chamber. A humidity chamber can be made using a plastic box with a tight fitting lid and two glass rods or other support. Place a paper towel on the bottom of the box and wet thoroughly with water. Lay the glass rods parallel to each other and less than one 96 well plate length apart on the wet tissue. Position the plate on the glass rods and place the plastic box, with lid, in a 37 °C incubator. Ensure that the plate is horizontal.



The product accompanying this document is intended for research use only and is not intended for diagnostic purposes or for use in humans.

amsbio

**UK & Rest of World**  
 AMS Biotechnology (Europe) Ltd  
 184 Milton Park, Abingdon,  
 OX14 4SE, UK

**Switzerland**  
 AMS Biotechnology (Europe) Ltd  
 Centro Nord-Sud 2E  
 CH-6934, Bioggio-Lugano

**North America**  
 amsbio LLC -  
 1035 Cambridge Street  
 Cambridge, MA 02141

[www.amsbio.com](http://www.amsbio.com) | [info@amsbio.com](mailto:info@amsbio.com)

🇬🇧 T: +44 (0) 1235 828200  
 F: +44 (0) 1235 820482

🇨🇭 T: +49 (0) 69 779099  
 F: +49 (0) 69 13376880

🇨🇭 T: +41 (0) 91 604 55 22  
 F: +41 (0) 91 605 17 85

🇺🇸 T: +1 617 945 5033  
 F: +1 617 9458218

3D Cell Culture • Stem Cells • DNA • RNA • Proteins • Tissues • Glycobiology